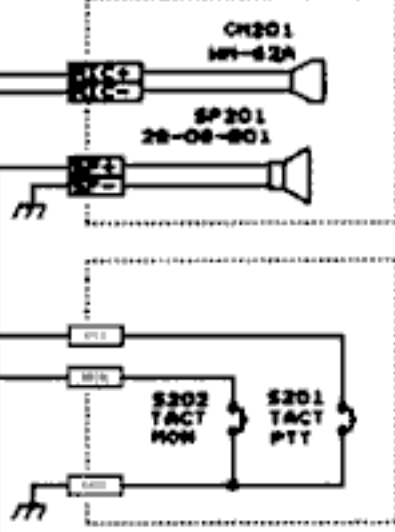
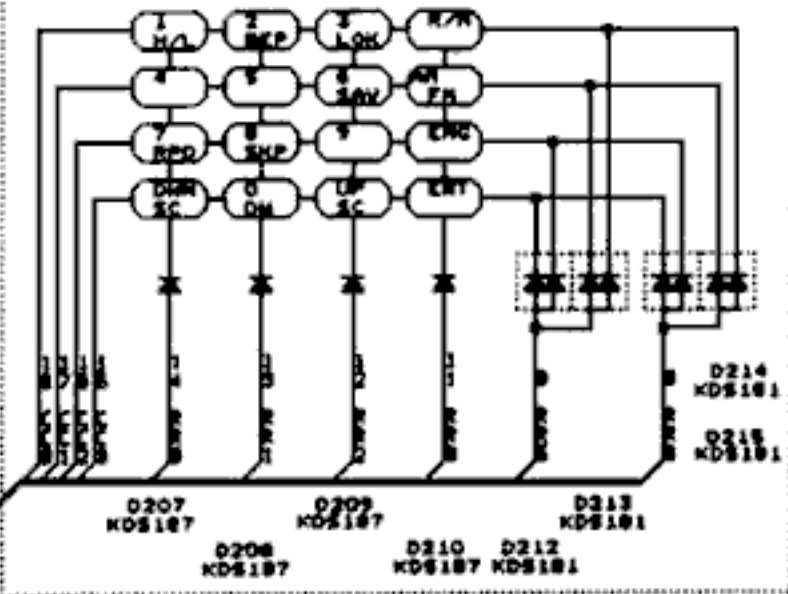


LCD1
LCD1

IC201
LC72238
AH29

IC202
MJA308

IC203
A1509S



- 10 S-Meter/RF-Meter (In)
- 11 Squelch (In)
- 12 Supply Voltage (Out)
- 13 Receive Voltage (Out)
- 14 Charge Pump (Out)
- 15 UnLock (Out)
- 16 VCO Frequency (In)
- 17 TX On (Out)

- 18 Audio Frequency (In)
- 19 High/Low RF Power (Out)
- 20 Microphone Signal (Out)
- 21 Supply Voltage (In)
- 22 Power On (In)
- 23 Ground

SOLD CAP.

