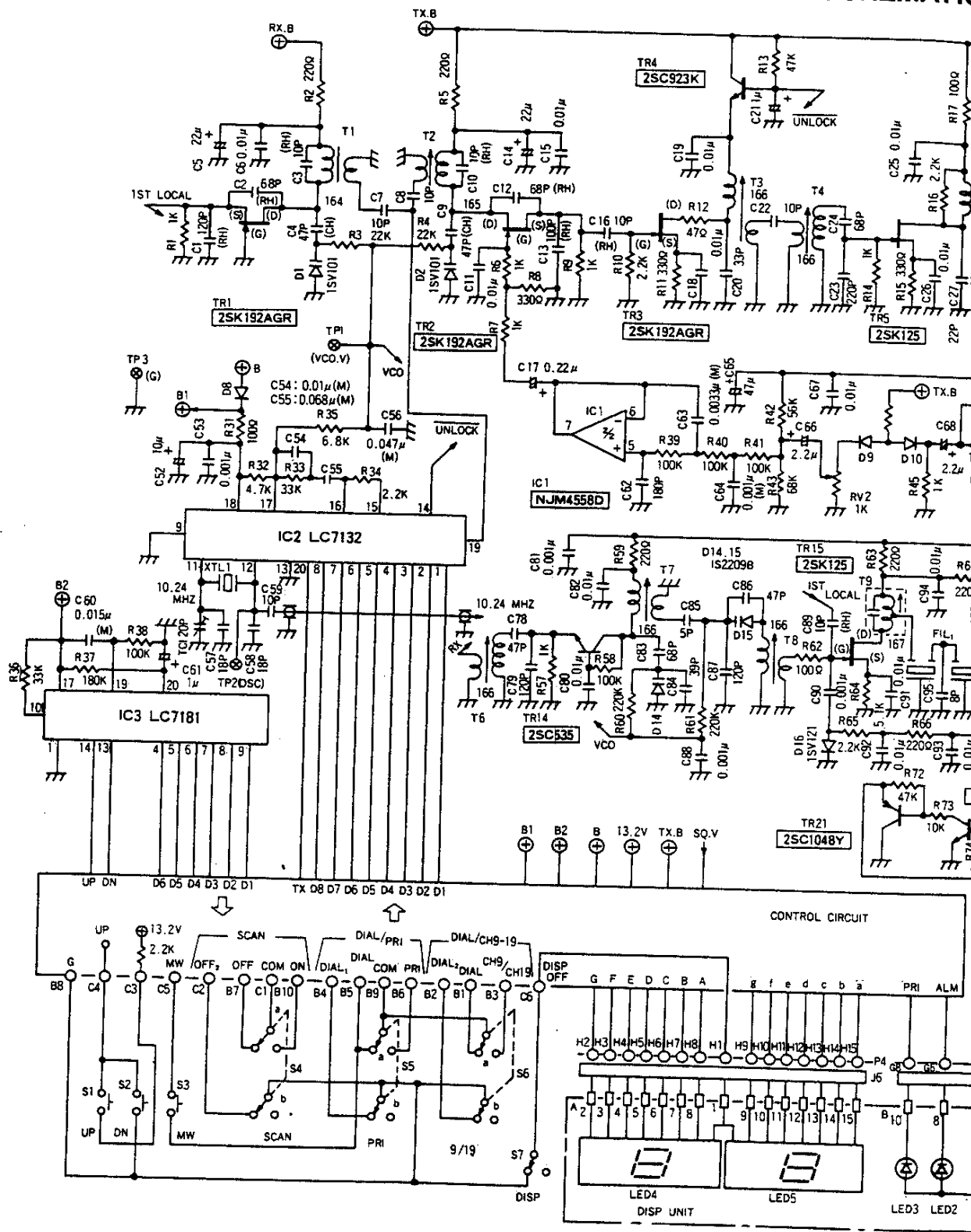
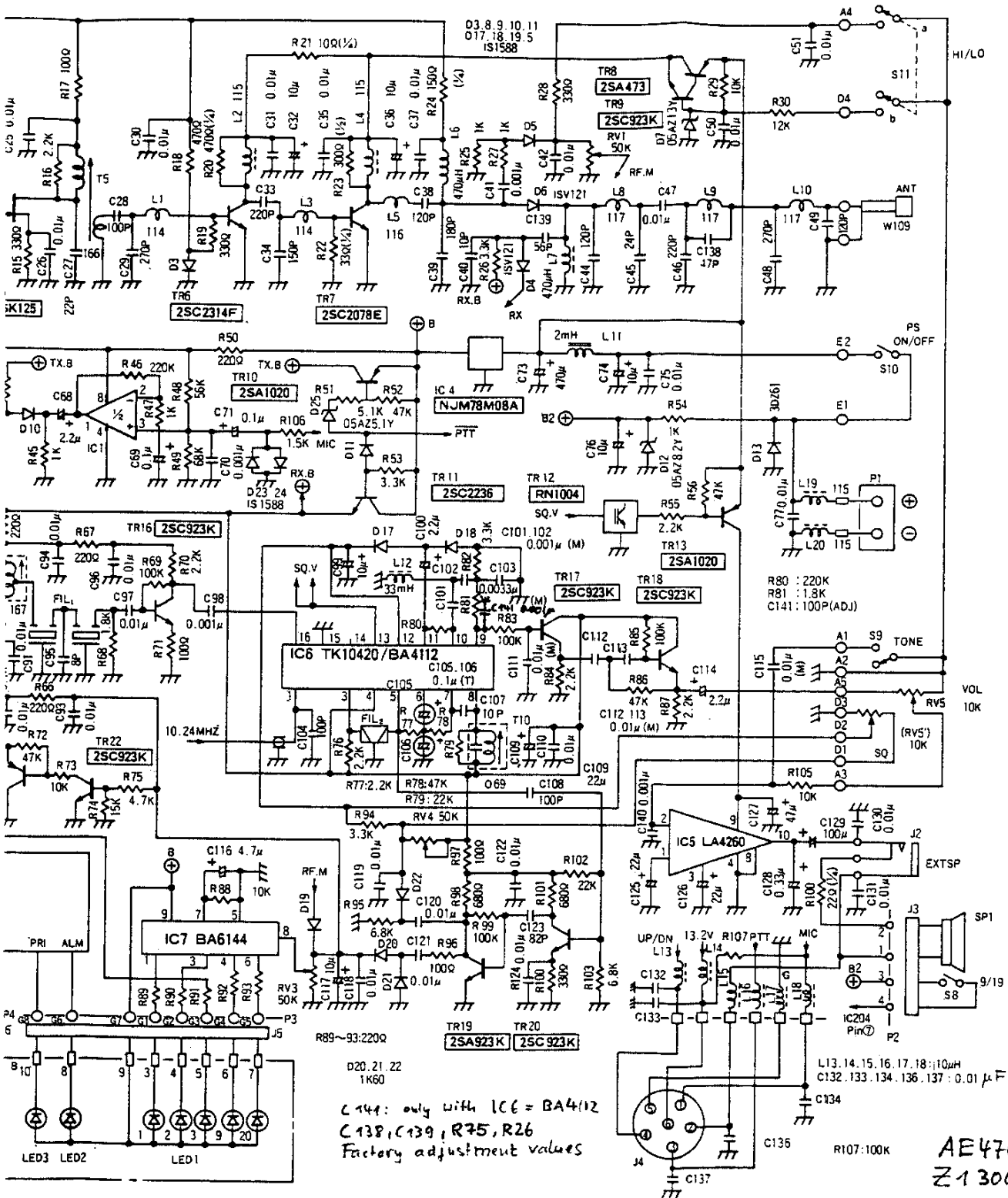


SCHEMATIC

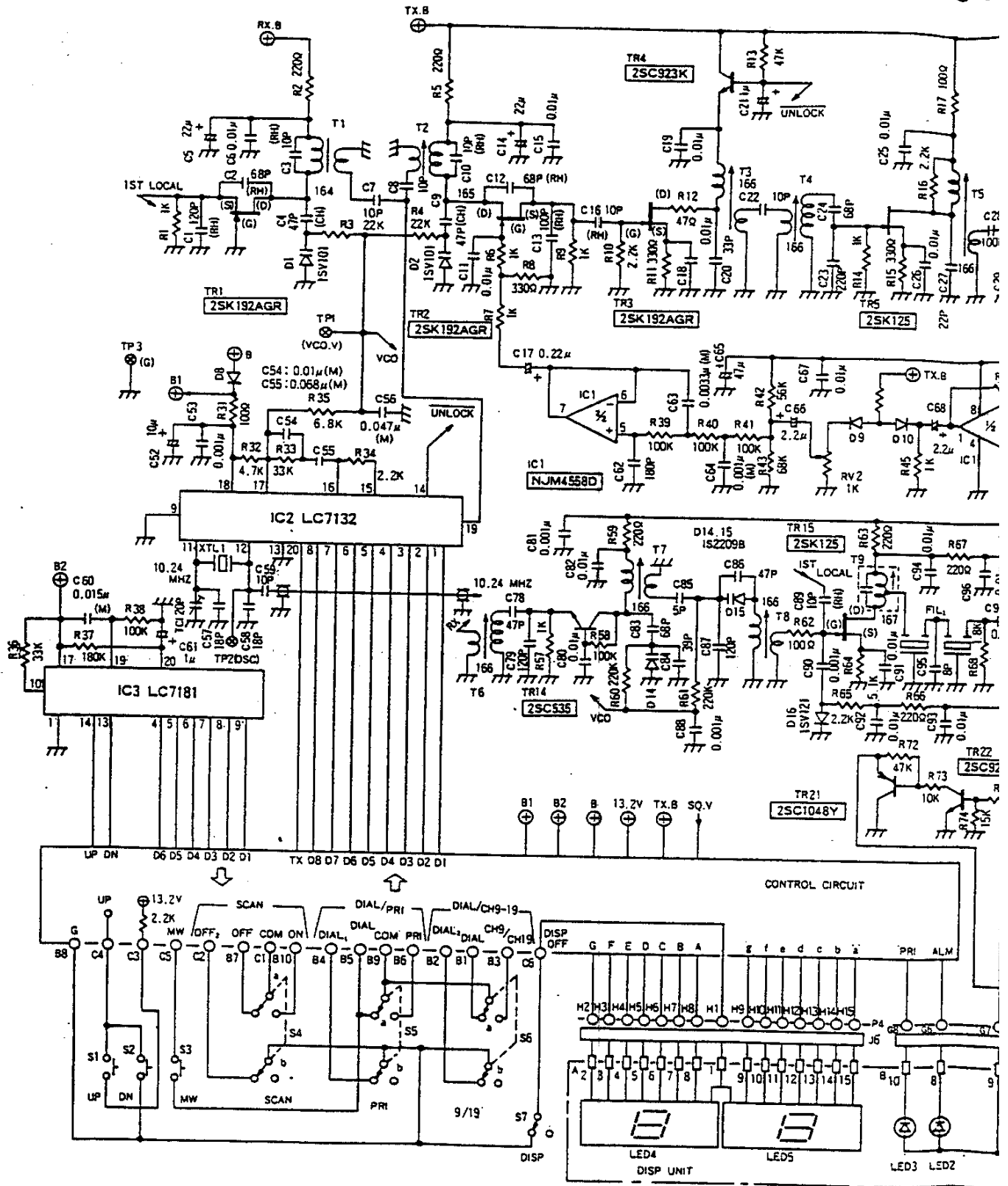


MATIC DIAGRAM



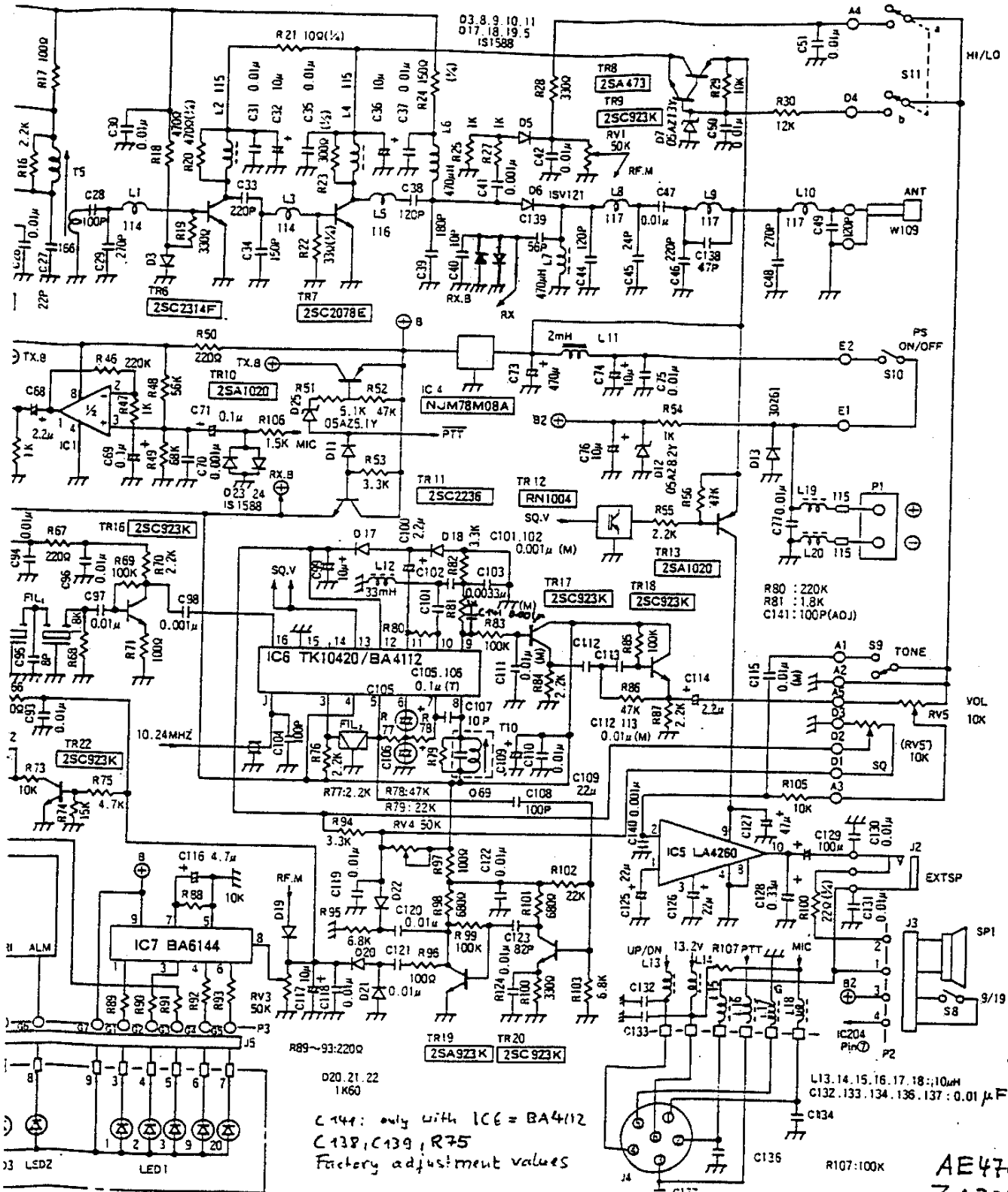
AE4700
 Z130010 Sca

SCHEMATIC D



4700-C1

ATIC DIAGRAM

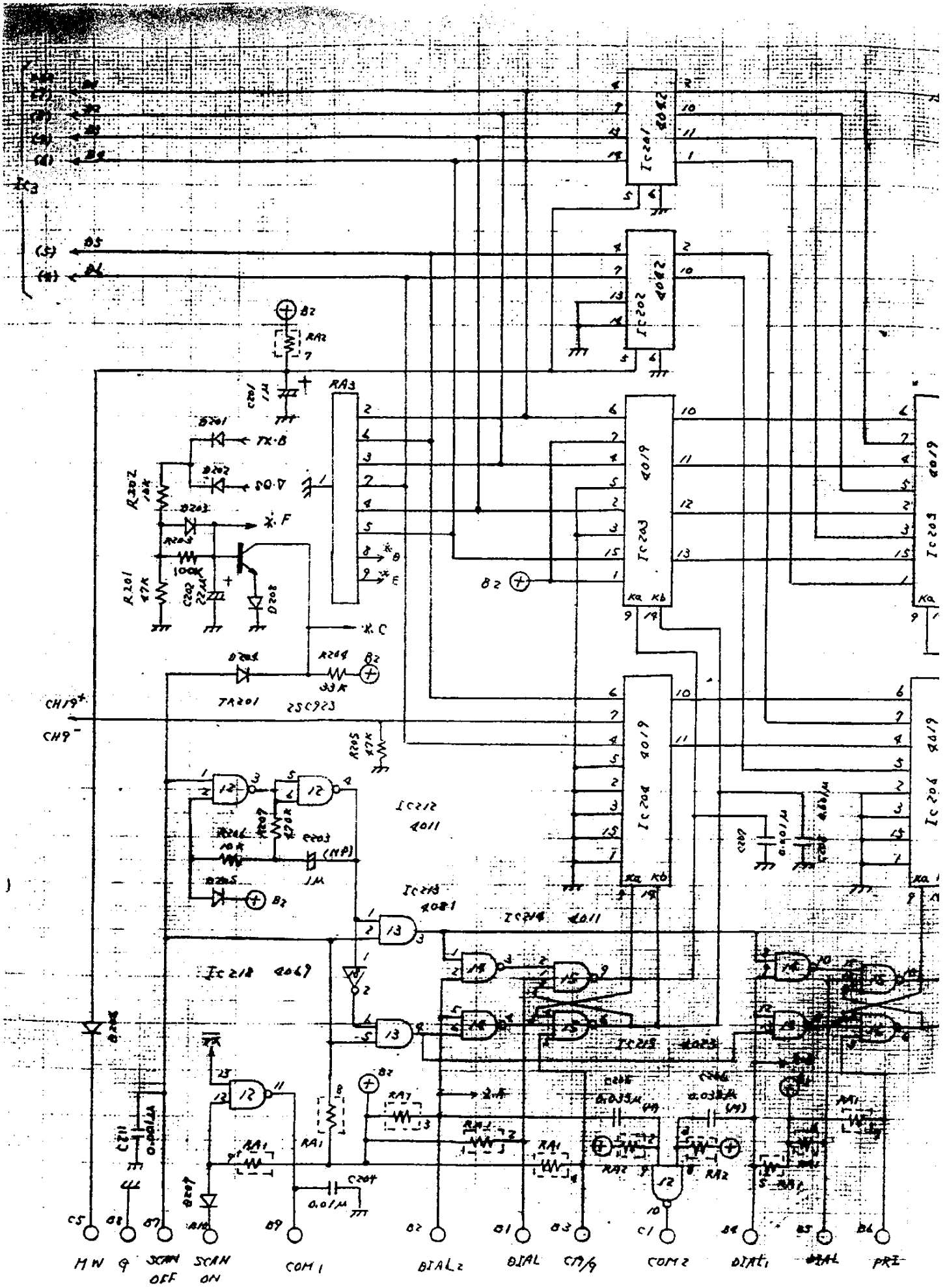


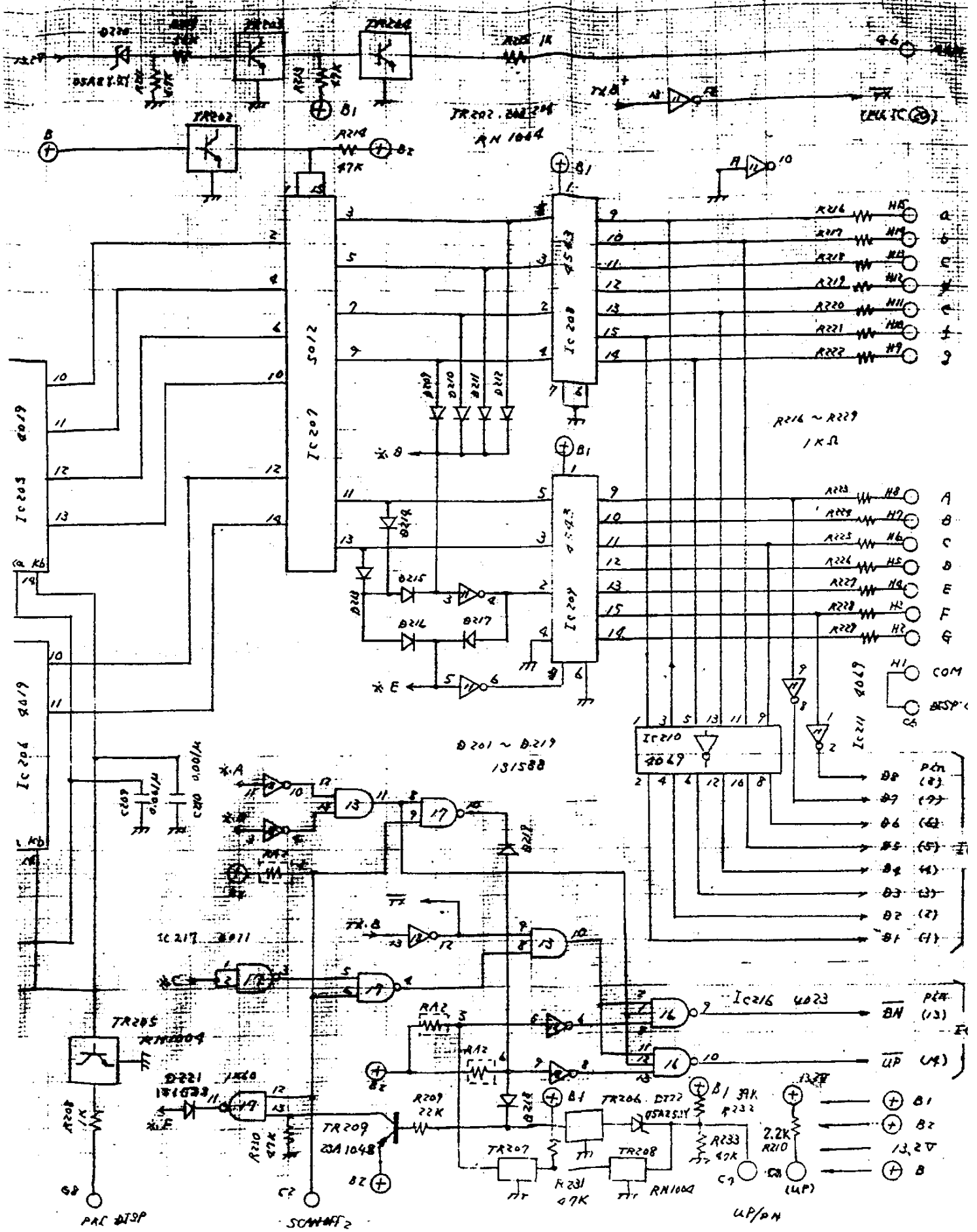
D20, 21, 22
1K60

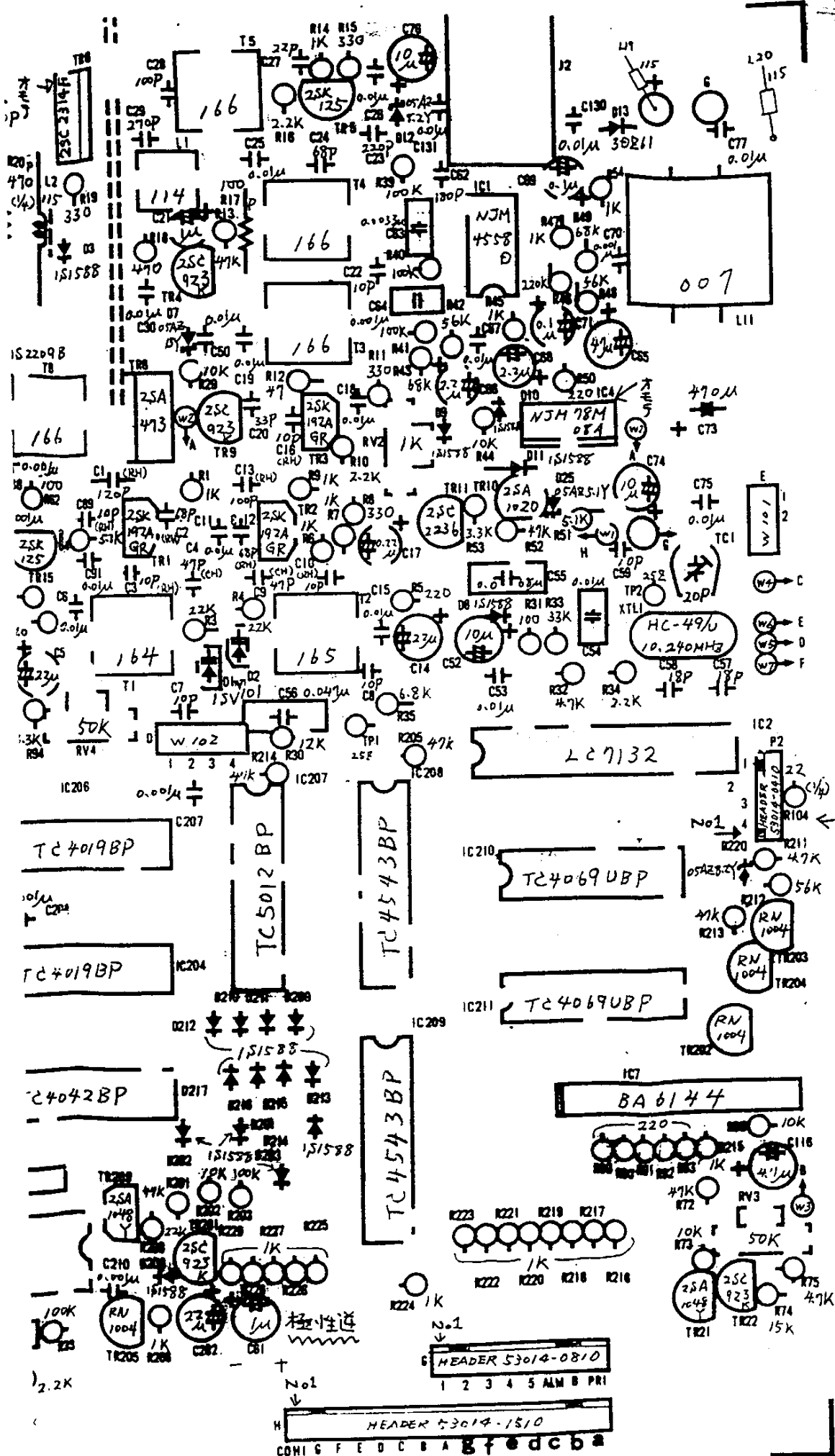
C144: only with IC6 = BA4112
C138, C139, R75
Factory adjustment values

AE4700
Z130010
Z114090

4700-C2







21-7印刷
3279PIN No. 2

500225C
TRX #11
AE-4700