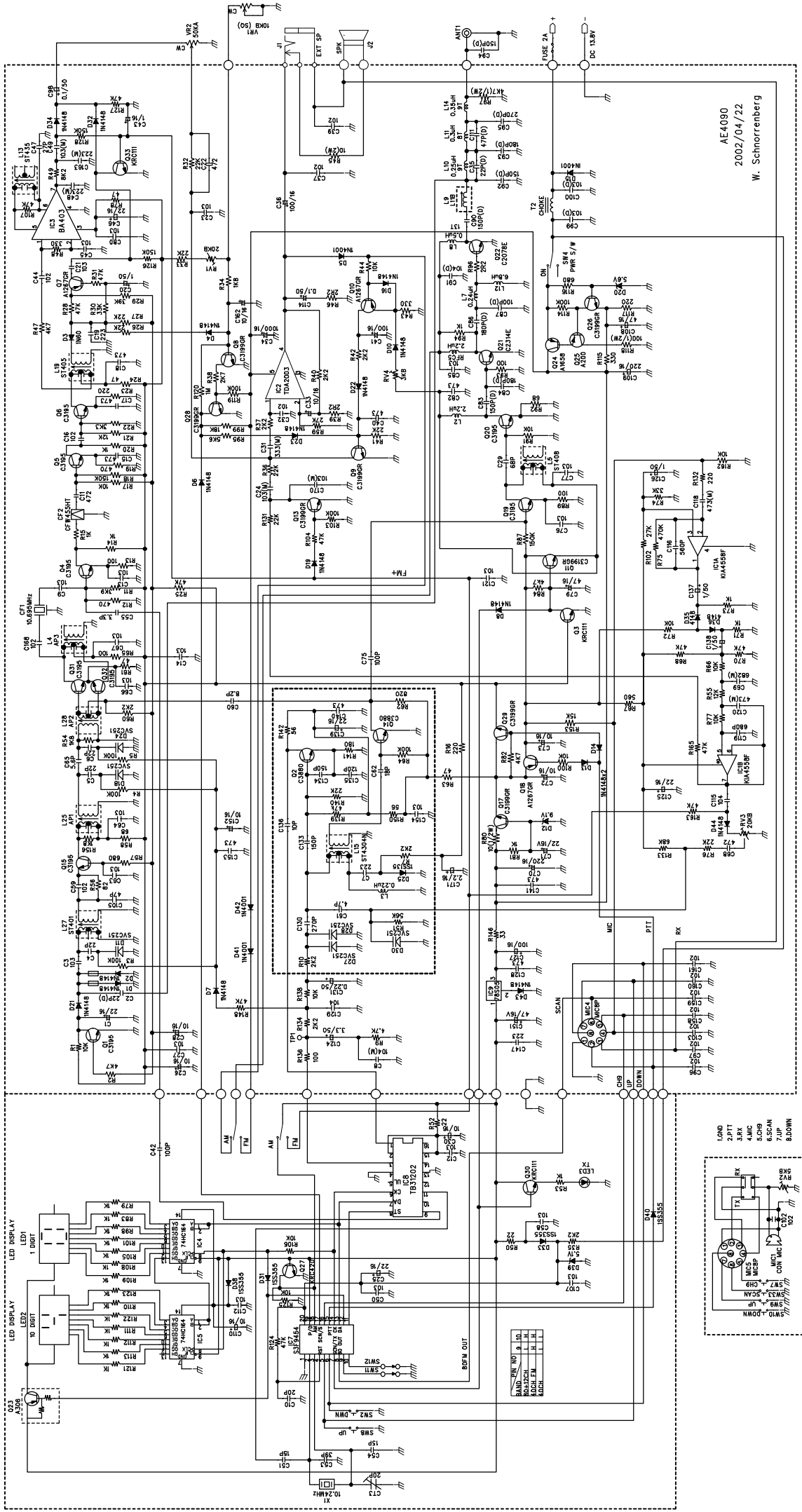
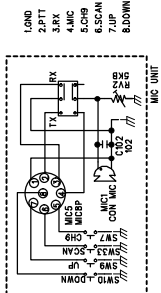


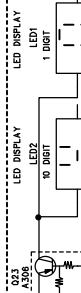
SCHEMATIC DIAGRAM AE4090



AE4090
2002/04/22
W. Schmorrenberg

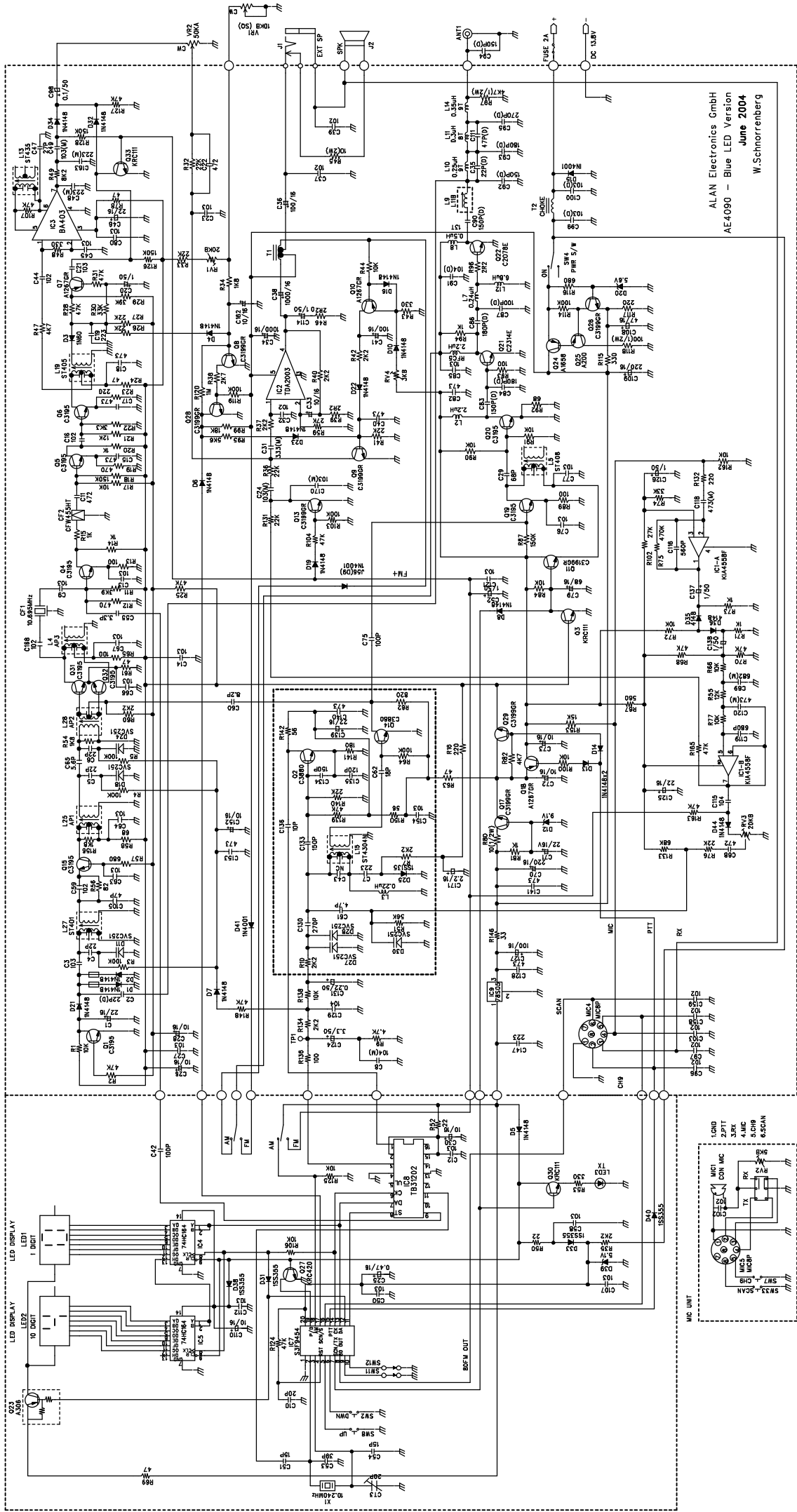


BAND	NOT	8	10
1			
2			
3			
4			
5			
6			
7			
8			
9			
10			



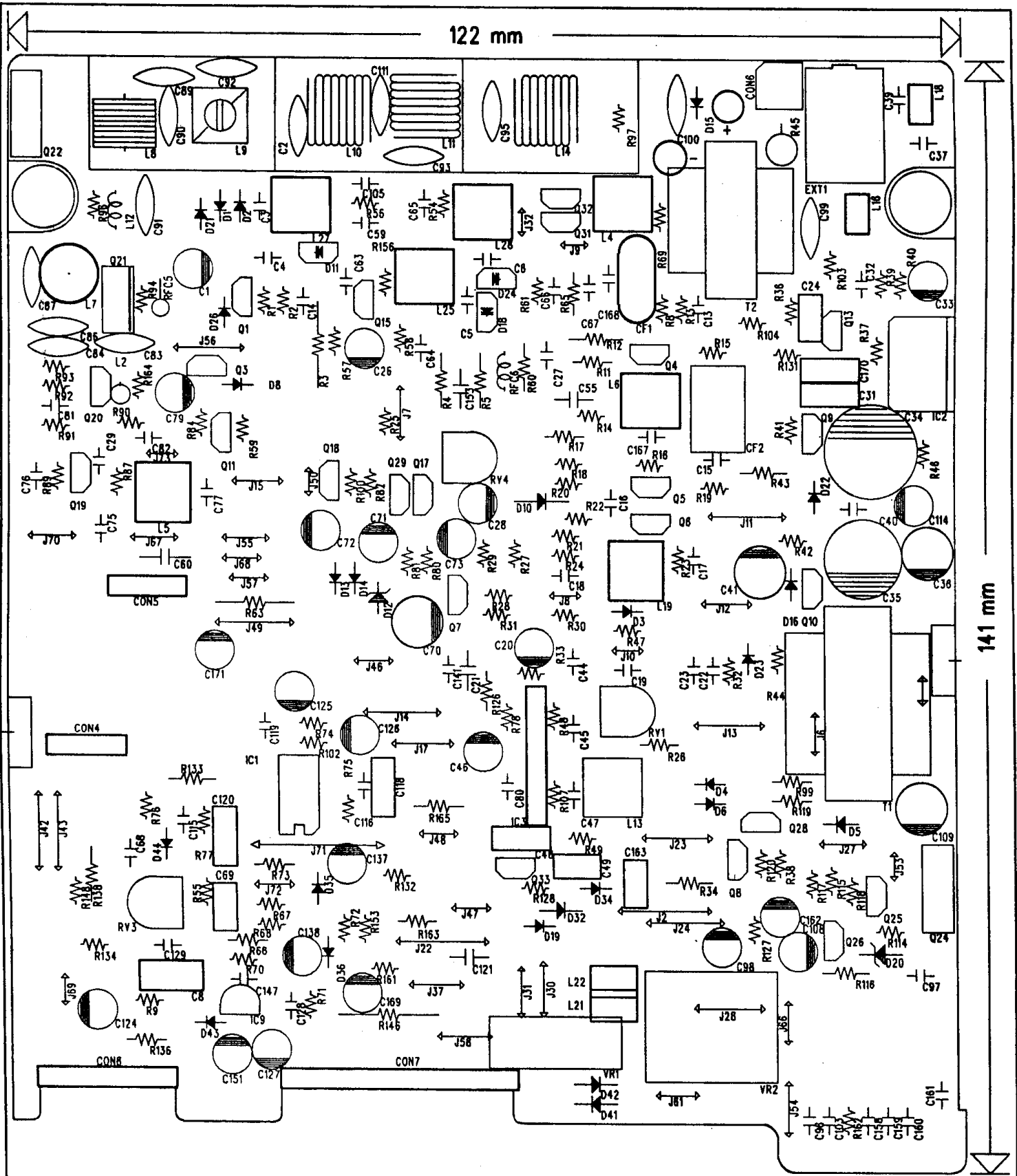
CIRCUIT DIAGRAM / SCHALTBILD

AE4090



ALAN Electronics GmbH
AE4090 - Blue LED Version
June 2004
W.Schnorrenberg

122 mm



141 mm

